



## Roof Curb and Duct Adapter

Models: ERCH-20, 45, 55, & 90

### ASSEMBLY INSTRUCTIONS

#### STEP 1: Unpack and Inspect Parts

Part Description	Qty	ERCH-20	ERCH-45	ERCH-55	ERCH-90	
		P/N	P/N	P/N	P/N	
<b>Roof Curb Kit</b>						
12 in. high with Indirect Gas	1	852073	852053	852066	852069	
12 in. high without Indirect Gas	1	852074	852054	852058	852070	
16 in. high with Indirect Gas	1	852075	852055	852068	852071	
16 in. high without Indirect Gas	1	852076	852056	852067	852072	
1. End Channel	12 in. high	2	705959	705557	705769	705943
	16 in. high	2	705965	705564	705914	705951
2. Side Channel	12 in. high	4	705958	705556	705770	705944
	16 in. high	4	705966	705563	705913	705950
3. Center Channel	12 in. & 16 in. high	1	705964	705558	705771	705949
<b>Duct Adapter (12 in. &amp; 16 in. high curbs)</b>						
4. Curb End Support Channel	1	705963	705559	705772	705948	
5. Curb Center Support Channel	1	705962	705560	705773	705947	
6. Duct Adapter with Indirect Gas	1	705961	705561	705915	705945	
7. Duct Adapter without Indirect Gas	1	705960	705562	705774	705946	
<b>Hardware Kit (for curb &amp; duct adapter)</b>	<b>1</b>	<b>852638</b>	<b>852638</b>	<b>852638</b>	<b>852638</b>	
3/8-16 x 3/4 Serrated Flange Bolts	26	415459	415459	415459	415459	
3/8-16 x 3/4 Serrated Flange Nuts	26	415457	415457	415457	415457	
Screws, SMS (A) 12 x 0.625 (IHH)	15	415180	415180	415180	415180	

Note: Hardware kit for the 12 in. high and 16 in. high roof curb are the same.

#### Tools Recommended for Assembly

- Cordless drill
- 5/16 in. Nut setter
- 9/16 in. Nut setter
- Open or Closed 9/16 in. wrench
- Awl — for hole alignment

## STEP 2: Assemble Main Curb

**Hardware Required:** (18)  $\frac{3}{8}$ -16 x  $\frac{3}{4}$  Serrated Flange Bolts [(24) for 16 in. curb]  
 (18)  $\frac{3}{8}$ -16 x  $\frac{3}{4}$  Serrated Flange Nuts [(24) for 16 in. curb]  
 (4) Side Channels  
 (2) End Channels  
 (1) Center Channel

**Instructions:**

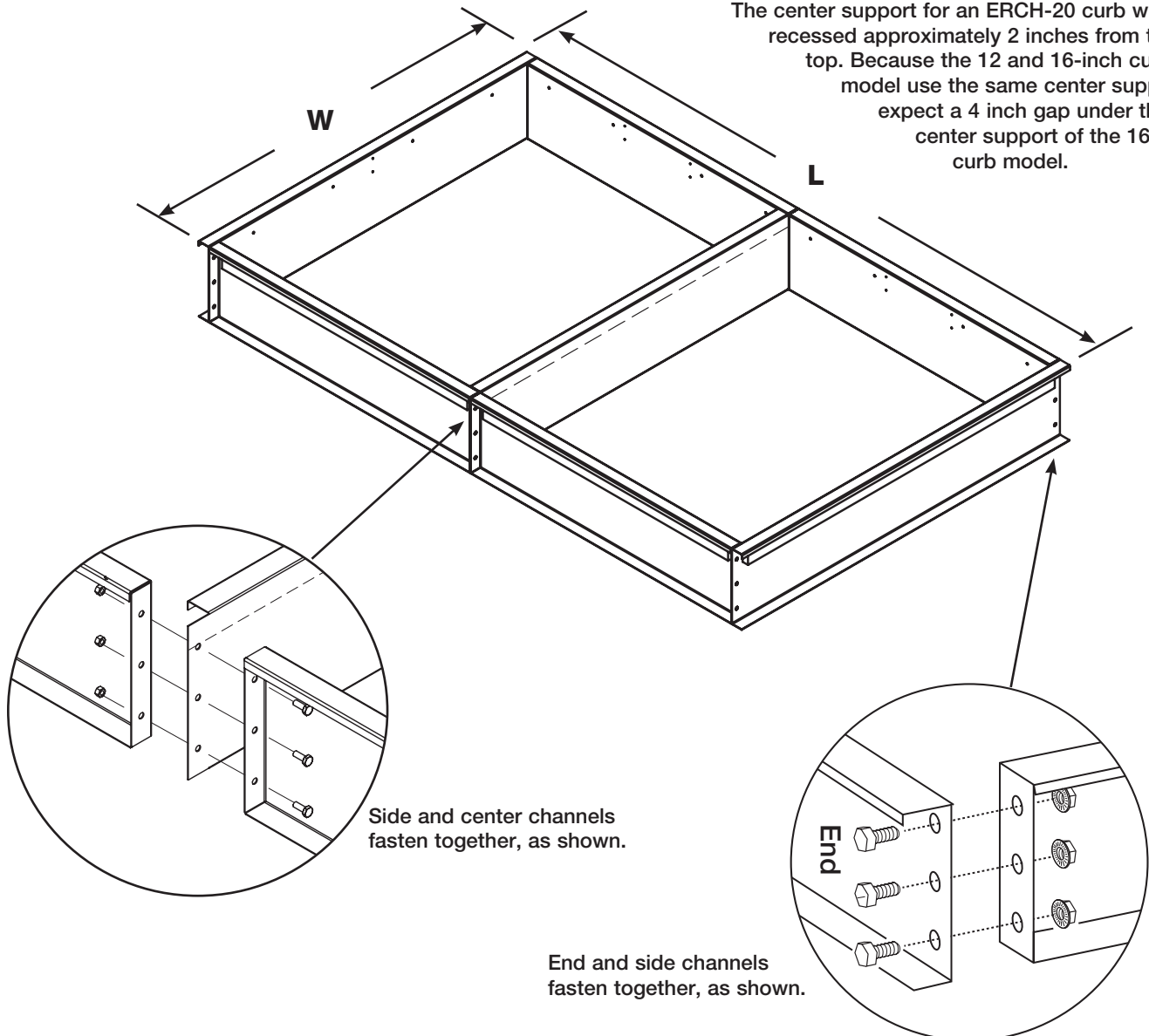
- See **Main Curb Assembly** for positioning the Side, Center, and End Channels.
- Align the holes and fasten as shown.

Channel Lengths and Overall Curb Dimensions					
	Side Length	End Length	Center Length	L	W
ERCH-20	46.50	51.00	51.00	93.00	51.00
ERCH-45	50.25	60.63	60.63	100.50	60.63
ERCH-55	56.38	71.50	71.50	112.75	71.50
ERCH-90	62.88	90.75	90.75	125.75	90.75

All dimensions in inches.

### Main Curb Assembly

The center support for an ERCH-20 curb will be recessed approximately 2 inches from the top. Because the 12 and 16-inch curb model use the same center support, expect a 4 inch gap under the center support of the 16 inch curb model.



**IMPORTANT!** *The following steps are for ductwork support. These steps are required only if the ductwork will be installed prior to the ERCH unit.*

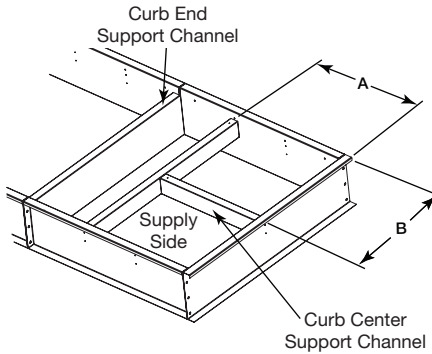
### STEP 3: Fastening Curb End Support and Curb Center Support Channel

**Hardware Required:** (8) Screws, SMS (A) 12 x 0.625 (IHH)  
 (1) Curb End Support Channel  
 (1) Curb Center Support Channel

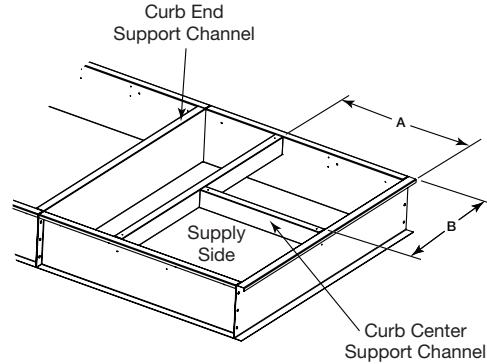
**Instructions:**

- Position the Curb End Support Channel as depicted.
- Align the holes and fasten using (4) 12 x 0.625 (IHH) screws.
- Position the Curb Center Support Channel as depicted.
- Align the holes and fasten using (4) 12 x 0.625 (IHH) screws.

#### ERCH-20



#### ERCH-45, 55 & 90



	End Support Length	Center Support Length	A	B
ERCH-20	47.25	26.25	29.25	25.50
ERCH-45	56.75	29.25	32.25	30.32
ERCH-55	67.75	37.00	40.00	35.75
ERCH-90	87.00	39.63	42.75	45.38

All dimensions in inches.

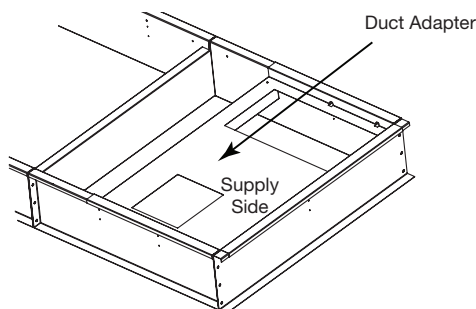
### STEP 4: Fastening Duct Adapter to Curb

**Hardware Required:** (3) Screws, SMS (A) 12 x 0.625 (IHH)  
 (1) Duct Adapter

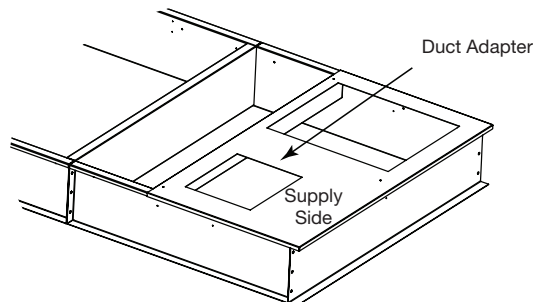
**Instructions:**

- Position the Duct Adapter as depicted.
- Align the holes and fasten using (3) 12 x 0.625 (IHH) screws.

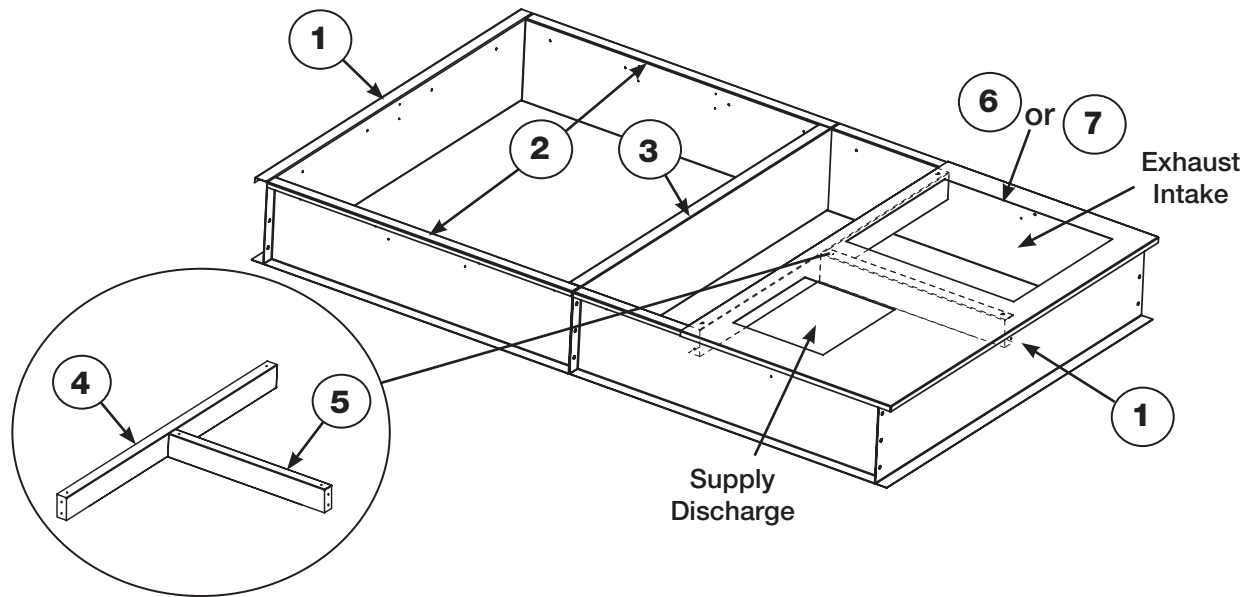
#### ERCH-20



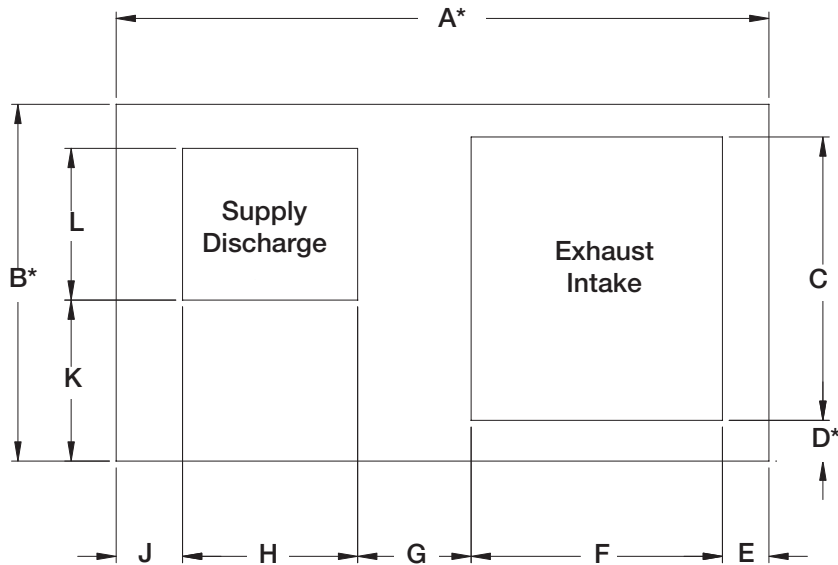
#### ERCH-45, 55 & 90



# ERCH-20, 45, 55, 90: Final Roof Curb Assembly



## Duct Adapter Opening Dimensions



	A	B	C	D	E	F	G	H	J	K	L
ERCH-20	51.25	32.50	25.50	3.50	4.50	13.50	16.00	12.50	4.75	15.00	11.00
W/ IG HEAT	51.25	32.50	25.50	3.50	4.50	13.50	9.25	20.50	3.50	3.50	24.50
ERCH-45	61.00	33.50	26.50	4.00	4.25	23.50	10.50	16.25	6.25	15.00	14.25
W/ IG HEAT	61.00	33.50	26.50	4.00	4.25	23.50	3.75	24.50	4.75	5.25	24.50
ERCH-55	71.25	43.50	35.50	3.75	10.00	25.50	10.75	19.25	6.50	18.00	16.50
W/ IG HEAT	71.25	43.50	35.50	3.75	10.00	25.50	5.00	27.50	4.00	3.75	34.50
ERCH-90	91.25	43.00	35.50	4.75	4.50	39.50	12.75	22.75	11.75	21.50	19.50
W/ IG HEAT	91.25	43.00	35.50	4.75	4.50	39.50	4.25	30.50	12.50	4.50	31.50

All dimensions in inches.

\* Measurements from outside edge of curb.

