



SKU
BSQ-180-LMDX-QD

Job Name:
Mark:
Submitted By:
Date: 04/24/2025

Square Centrifugal Inline Fan, Product # BSQ-180-LMDX-QD, 1907-5414 CFM

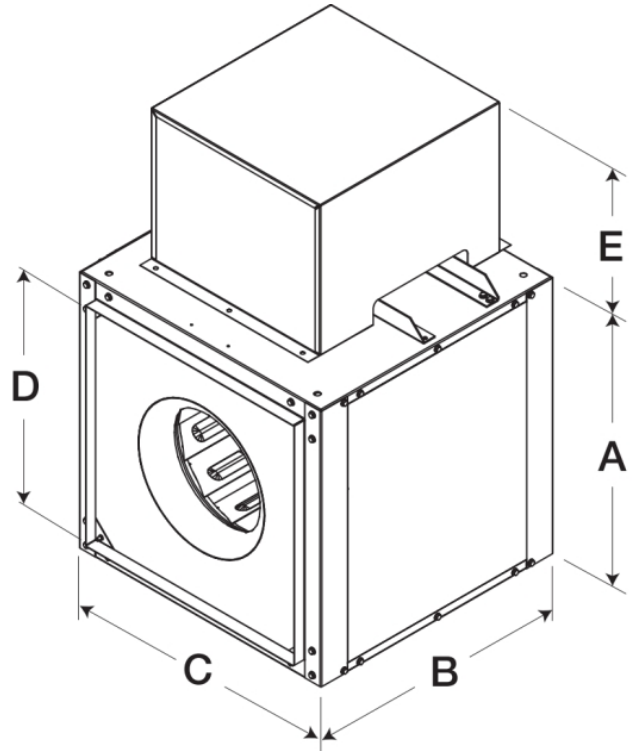


Model BSQ centrifugal inline fan features a unique combination of installation flexibility, rugged construction, ease of service, high efficiency and low sound levels. These compact fans are the ideal selection for indoor clean air applications including intake, exhaust, return or make-up air.

- 23.875 x 23.875 inch inlet width x height
- 23.875 x 23.875 inch outlet width x height
- Multiple motor and drive options available to meet any performance and application need

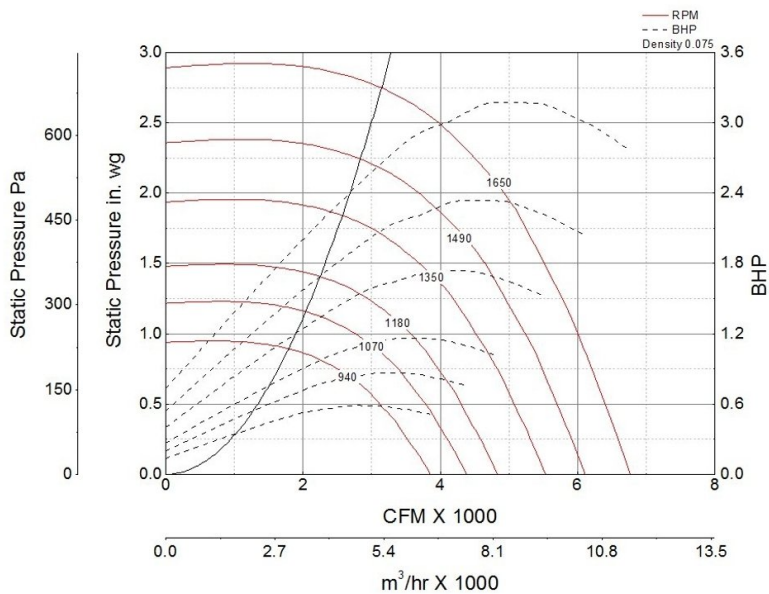
Certifications

AMCA Sound & Air
UL/cUL 705



A	B	C	D	E
28 in	28 in	28 in	23.875 in	13.75 in

Performance Characteristics



Note: The maximum FRPM for each motor horsepower is shown. For additional performance ranges available for this fan, refer to the performance table.

Construction Features

Housing Material	Galvanized Steel
Drive Type	Belt Drive
Impeller Type	Centrifugal Wheel
Impeller Material	Aluminum
Includes	Motor cover
Certifications	AMCA Sound & Air UL/cUL 705
Drive Package Description	No drive package included

Motor Information

Motor Included	No
----------------	----

Air and Sound Performance

Motor HP	Max BHP	Max Fan RPM	Min Fan RPM	Ps (in. wg)	0	0.125	0.25	0.375	0.5	0.625	0.75	0.875	1	1.25	1.5	1.75	2	2.25	2.5		
1/2	0.16	610	590	CFM	2,502	2,244	1,907	-	-	-	-	-	-	-	-	-	-	-	-	-	
				Sones	8	7.4	7.4	-	-	-	-	-	-	-	-	-	-	-	-	-	-
1/2	0.31	760	610	CFM	3,117	2,915	2,691	2,406	1,973	-	-	-	-	-	-	-	-	-	-	-	-
				Sones	10.2	10.4	10.7	10	9.2	-	-	-	-	-	-	-	-	-	-	-	-
1/2	0.59	940	760	CFM	3,855	3,697	3,524	3,342	3,115	2,858	2,491	1,909	-	-	-	-	-	-	-	-	-
				Sones	12.9	12.8	12.7	12.5	12.2	12.1	11.6	11.1	-	-	-	-	-	-	-	-	-
3/4	0.45	860	710	CFM	3,527	3,352	3,162	2,938	2,682	2,289	-	-	-	-	-	-	-	-	-	-	-
				Sones	11.6	11.7	11.7	11.4	11.1	10.4	-	-	-	-	-	-	-	-	-	-	-
3/4	0.86	1070	860	CFM	4,389	4,249	4,101	3,949	3,782	3,583	3,377	3,095	2,750	-	-	-	-	-	-	-	-
				Sones	15.6	15.3	15	14.6	14.2	13.9	14	14.1	13.6	-	-	-	-	-	-	-	-
1	0.60	950	760	CFM	3,896	3,739	3,568	3,392	3,168	2,924	2,572	2,048	-	-	-	-	-	-	-	-	-
				Sones	13.1	13	12.8	12.6	12.3	12.2	11.8	11.3	-	-	-	-	-	-	-	-	-
1	1.16	1180	950	CFM	4,840	4,713	4,582	4,444	4,306	4,147	3,967	3,780	3,554	2,925	-	-	-	-	-	-	-
				Sones	18.1	17.6	17	16.6	16.2	15.8	15.6	15.7	15.6	14.8	-	-	-	-	-	-	
1 1/2	0.89	1080	890	CFM	4,430	4,291	4,145	3,994	3,832	3,636	3,432	3,164	2,832	-	-	-	-	-	-	-	
				Sones	15.8	15.5	15.2	14.8	14.4	14	14.1	14.3	13.8	-	-	-	-	-	-		
1 1/2	1.74	1350	1080	CFM	5,537	5,427	5,316	5,196	5,074	4,955	4,829	4,673	4,515	4,179	3,689	2,985	-	-	-	-	
				Sones	22	21	21	20	19.9	19.5	19.2	18.8	18.5	18.4	17.8	16.8	-	-	-		
2	1.22	1200	1030	CFM	4,922	4,797	4,669	4,533	4,398	4,247	4,071	3,888	3,688	3,105	-	-	-	-	-		
				Sones	18.7	18	17.4	17	16.6	16.2	15.9	16	16	15.2	-	-	-	-			
2	2.33	1490	1200	CFM	6,111	6,011	5,911	5,807	5,697	5,588	5,479	5,369	5,232	4,945	4,648	4,218	3,674	-	-		
				Sones	26	24	24	24	23	23	23	22	22	21	21	21	19.7	-			
3	1.62	1320	1180	CFM	5,414	5,301	5,188	5,065	4,941	4,818	4,680	4,520	4,355	3,978	3,446	-	-	-	-		
				Sones	22	21	20	19.6	19.2	18.8	18.5	18.2	18	17.8	17.1	-	-	-			
3	3.17	1650	1320	CFM	6,768	6,677	6,587	6,496	6,399	6,300	6,201	6,102	6,004	5,770	5,511	5,243	4,900	4,491	3,949		
				Sones	30	29	28	28	28	28	27	27	27	26	25	24	24	24	23		



- Greenheck Fan Corporation certifies that the model shown herein is licensed to bear the AMCA Seal. The ratings shown are based on tests and procedures performed in accordance with AMCA Publication 211 and AMCA Publication 311 and comply with the requirements of the AMCA Certified Ratings Program.
- Performance certified is for installation type B: Free inlet, Ducted outlet.
- Power rating (BHP/kW) includes transmission losses.
- Performance ratings do not include the effects of appurtenances (accessories).
- The inlet sound ratings shown are loudness values in fan sones at 5 ft. (1.5 m) in a hemispherical free field calculated per AMCA Standard 301. Values shown are for installation type B: free inlet hemispherical sone levels.

California Residents

WARNING

This product can expose you to chemicals including cadmium used in the processing of corrosion resistant metal and fasteners, which is known to the State of California to cause cancer and birth defects or other reproductive harm. For more information visit www.P65Warnings.ca.gov